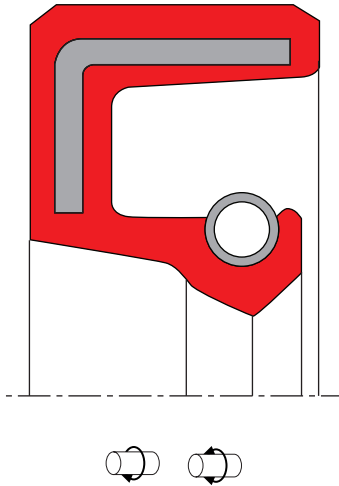


SEAL SPEC R61-A

seal-mart | 



description

rotary seal in standard design according to DIN 3760 with a protective lip on the air side and with an elastomer outer sheath covering a metal insert as well as a spring-energised sealing lip. in addition, the standard design is available.

- + good static sealing
- + compensation of different thermal expansion
- + reduced risk of fretting corrosion
- + higher bore surface roughness is allowed
- + installation in split-housings
- + modern lip design provides low radial forces

category of profile

molded/standard/trade product or machined with minor design change.

single acting rotary seal

the R61-A seal is designed for use as a rotary seal

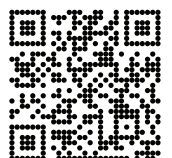
area of application

sealing of rotating machine elements such as shafts, hubs and axles

- transmission systems (e.g. gearboxes)
- pump
- electrical motors
- machinery industry (e.g. tool machines)

function

the R60-A/R61-A is a single action rotary shaft seal for rotating or pivoting shafts with optional protective lip sealing action (R61-A) on the side facing away from the medium, against dirt accumulation from the outside. the elastomer outer sheath provides good static sealing, good thermal expansion balance e.g. in light-metal housings, better sealing with greater roughness and secure sealing for split housing as well as good static sealing with thin fluid or gaseous media.



SEAL SPEC R61-A

operating parameter & material

sealing element ¹	material metal insert ²	spring ²	temperature	max surface speed	max pressure
NBR (70, 72, 75 shore A)	mild steel DIN 1624 or non-alloy steel DIN EN 10139	mild steel DIN 1624 or non-alloy steel DIN EN 10270-1	-40 °C ... +100 °C	30 m/s	0,5 bar

¹ special grades and other materials (ACM, EACM, EPDM, HNBR, MVQ) on request

the stated operation conditions represent general indications. it is recommended not to use all maximum values simultaneously. surface speed limits apply only to the presence of adequate lubrication film.

² metal insert, and spring as well, can be supplied in different materials on request.

surface quality

surface roughness	Rtmax (µm)	Rz (µm)	Ra (µm)
shaft	≤6,3	≤1,0-5,0	≤0,2-0,8
bottom of groove	≤25	≤10-25	≤1,6-6,3

tolerance recommendation

seal housing tolerance	
Ød	f8/h11
ØD	H8

fitting & installation

suitable tool should be used for installation. it is recommended that the installation housing is designed to provide the rotary shaft seal with axial support.

seal & housing recommendations

please note that we are able to produce those profiles to your specific need or any non standard housing. for detail measurements, please see seal-mart catalog...

