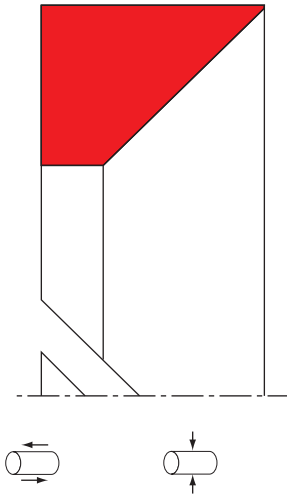


# SEAL SPEC ST10

seal-mart 



## description

standard active back-up ring for piston seal type PD. normally already included in PD-type seal profiles, designed for automatic pressure activation. split and non split design available.

## category of profile

machined only product.

## operating parameter & material

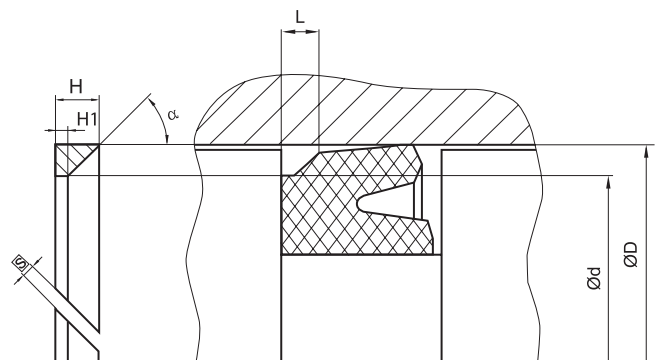
material	temperature
POM	-50 °C ... +100 °C
PA	-40 °C ... +100 °C
PTFE glass	-200 °C ... +260 °C

POM up to  $\varnothing 260$  mm, PA above  $\varnothing 260$  mm

the stated operation conditions represent general indications. it is recommended not to use all maximum values simultaneously. surface speed limits apply only to the presence of adequate lubrication film.

## seal & housing recommendations

please note that we are able to produce those profiles to your specific need or any non standard housing. for detail measurements, please see seal-mart catalog...



### variations:

- cutting gap width  $s=0\text{mm}$
- endless

